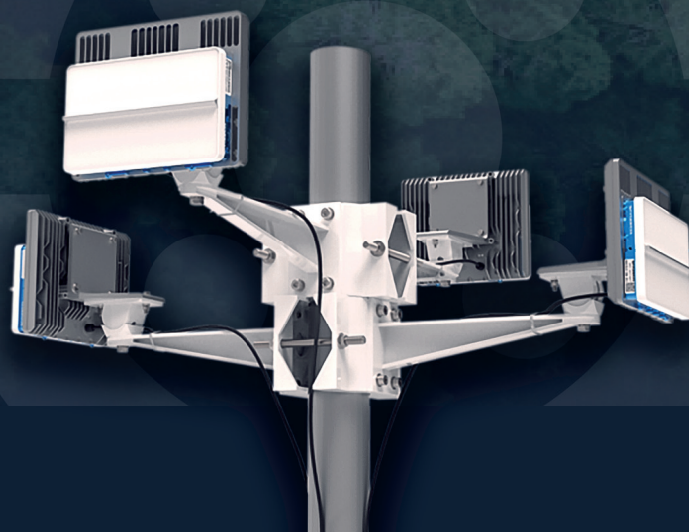


AERSENSE

Advanced UAS detection
Fully integrated radar system



DRONEDEFENCE

DRONEDEFENCE.CO.UK

AEROSENSE

RADAR
DETECTION

RAPIDLY
DEPLOYABLE

AeroSense is a highly functional radar system, designed specifically for UAS detection.

The system is interchangeable with a variety of radar panels, depending on the site and customer's requirements.

New detection threats and radar tracks are established in less than 1 second. Small drones are detected and tracked at up to 850m.

The AeroSense system can also be fully integrated into any other Drone Defence technologies such as AeroTracker and our Solar Sentinels, offering complete flexibility to build a bespoke system.

Rapidly
deployable

Tracking up to
20km

Detections established
in less than 1 second

Radar panel choice

KEY FEATURES



Calibration-free for fast installation & integration



Interchangeable with a variety of radar panel options



Independently certified as safe for airport deployment



Can be integrated into any other Drone Defence technologies



Detection and tracking up to 20km (depending on radar panels used)



RADAR OPTIONS

What sets AeroSense apart is its adaptability to integrate with various radar panels, allowing for versatility in drone detection capabilities.

This innovative system harnesses radar technology to identify and track drones swiftly and accurately within a designated airspace.

AeroSense can be tailored to specific operational needs, making it a valuable tool for industries and security managers seeking reliable drone detection solutions.

TECHNICAL SPECIFICATIONS

RANGE UP TO 1KM



Range	Up to 1km in ideal conditions
Field of view	360° Azimuth / 80° Elevation
Weather ratings	Suitable for all weathers
Operating Temperature	-40° to + 75° Celsius
Maintenance	Annual manual inspection

RANGE UP TO 8KM



Range	Up to 8km in ideal conditions
Field of view	360° Azimuth / 45° Elevation
Weather ratings	Suitable for all weathers
Operating Temperature	-20° to + 60° Celsius
Maintenance	Annual manual inspection

RANGE UP TO 20KM



Range	Up to 20km in ideal conditions
Field of view	360° Azimuth / 60° Elevation
Weather ratings	Suitable for all weathers
Operating Temperature	-32° to + 49° Celsius
Maintenance	Annual manual inspection

DRONEDEFENCE

GET IN TOUCH

Drone Innovation Centre, Retford, UK | info@dronedefence.co.uk | +44 (0) 843 289 2805

DRONEDEFENCE.CO.UK

